

# KTA50-G3

## Cummins Generator GF-C1250

Prime Power : 1136KW/1420KVA

Standby Power: 1250KW/1562KVA



### GENERATING POWER SOLUTIONS

#### Increased availability for new operation

Reliable, robust and versatile generator.  
Ready to deliver power for a next job.

#### Increased uptime during operations

Once installed on the end-user-site, the generator will be ready to run: "peace of mind" operation.

#### Reduced transport and installation costs

The compact and robust design with integrated transport features enables faster and safer transport and installation.

#### Reduced service & maintenance costs

Longer service intervals.  
Quicker and more efficient service job.

#### Premium resale value

Designed and built to last.

## Cummins Series

25KVA-2000KVA



## Technical Data

GF-C1250

### Model GF-C1250

Rated prime power	kva	1420
Rated standby power	kva	1562
Rated voltage line to line	V	220
Rated current	A	3720
Maximun sound level	dB(@7m)	≤100

### Engine-Cummins

Model	CCEC	KTA50-G3
Air intake system	Turbo, Air/Water cooling	
Fuel injection system	PT type fuel pump EFC	
No.Cylinders	16in "V"	
Displacement	Liquid	50.3L
Bore*Stroke	mm	159*159
Compression ratio	13.9:1	
Rated speed	r/min	1800
Rated net power(with fan)	Kw	1380
Governor type	EFC electrical	
Start Motor	v	48

### Exhaust System

Exhaust gas flow	L/s	3967
Exhaust gas temp	°C	531
Max back pressure	kPa	6.7

### Air Intake System

Max intake restriction	kPa	6.35
Air flow	L/s	1435

### Fuel System

100% load(Prime power)	L/h	269
75% load(Prime power)	L/h	201
50% load(Prime power)	L/h	134
Fuel tank capacity	L	/

### Lubrication System

Total system oil capacity	L	177
Oil consumption	g/kwh	≤4
Min oil pressure (continuous operation)	Kpa	345-483

### Cooling System

Total coolant capacity	L	300
Thermostat	°C	82-93
Max top tank temperature	°C	104

### Alternator

Model	734A
	STAMFORD PI734A
Phase	3
Voltage	V 220
Wiring Type	3 Phase 4 wire, Y type
Bearing	1
Power factor	0.8
Frequency	HZ 60
Prime power	KVA 1630
Exciter Type	Brushless,self-excitation
Voltage regulation	% ±0.5
Protection Grade	IP23
Insulation grade	H
Altitude	m ≤1000

### Controller-Smartgen

Model	6110
-------	------

Protective fuctions:

- Low oil pressure
- High water temperature
- High/low voltage
- High engine temperature and overspeed
- Voltage regulator frequency regulator
- Emergency stop
- Start failure



### Controller Module Options



- Auto generator control module
- Control module with " Three Remote Control"
- ATS auto load transfer screen
- Synchronising control modules
- Power output cabinet

### Standard Features

- Engine(CCEC CUMMINS) ●
- Radiator 50°C,fans are driven by belt ●
- 24V charger alternator ●
- Alternator:single bearing alternator IP23 insulation class H/H ●
- Standard auto control system ●
- One set of air filter, fuel filter,oil filter ●
- Main line circuit breaker/MCCB ●
- Base fuel tank ●
- Two 12V batteries ,rac and cable ●
- Exhause system(Ripple flex exhaust pipe exhaust siphon,flange,muffler) ●
- User Manual ●

### Options

- battery charger ○
- engine heater ○
- Alternator heater ○
- PMG ●
- Water oil seperator ○
- Daily Fuel tank ○
- Remote control swith/ATS ○
- Switch box ○

Standard: ● Options: ○

### Warranty

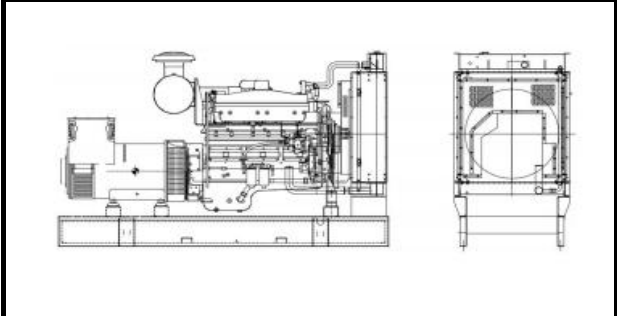
#### CCEC Cummins Engine

12 months from date of purchase and 1000 hours.

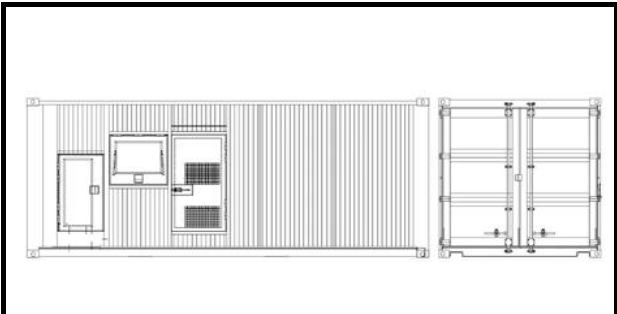
#### Generator

12 months from date of purchase or 1000hours (whichever occurs first)

### Unit Dimensions(basic unit)



open type		
L*W*H	mm	4900*2060*2580
Weight	kg	9600



Silent Type		
L*W*H	mm	6058*2438*2896
Weight	kg	11500

More information,please contact to us.

Manufacture reserves the right to make changes in model,technical specification,color,equipment and accessories without notice.